

Involutometry Illustrations

Harlan W. Van Gerpen, P.E.

C. Kent Reece, P.E.

Van Gerpen-Reece Engineering, Cedar Falls, IA

In our last issue, the labels on the drawings illustrating "Involutometry" by Harlan Van Gerpen and C. Kent Reece were inadvertently omitted. For your convenience we have reproduced the corrected illustrations here. We regret any inconvenience this may have caused our readers.

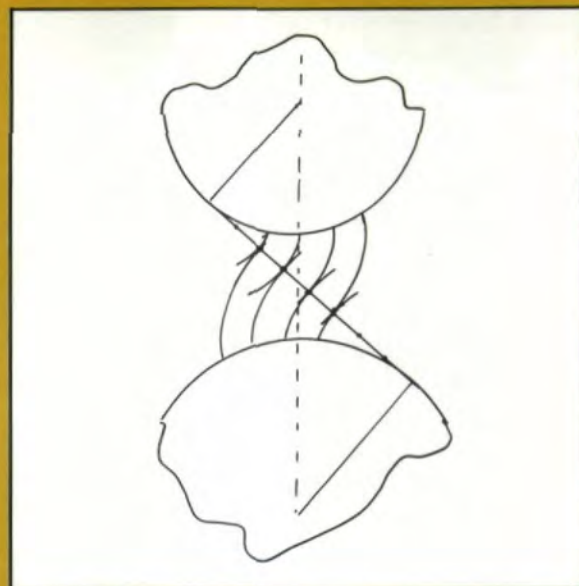


Fig. 3—Multiple involute curves.

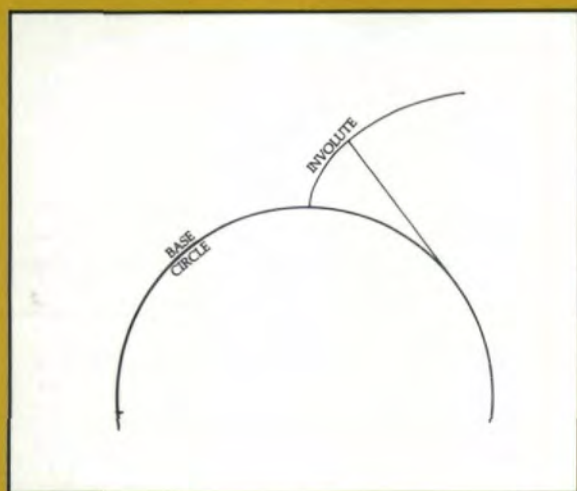


Fig. 1—Involute curve.

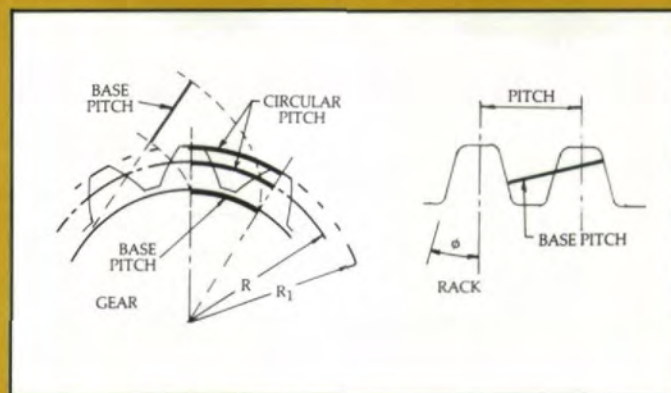


Fig. 4—Base pitch of a gear and a rack.

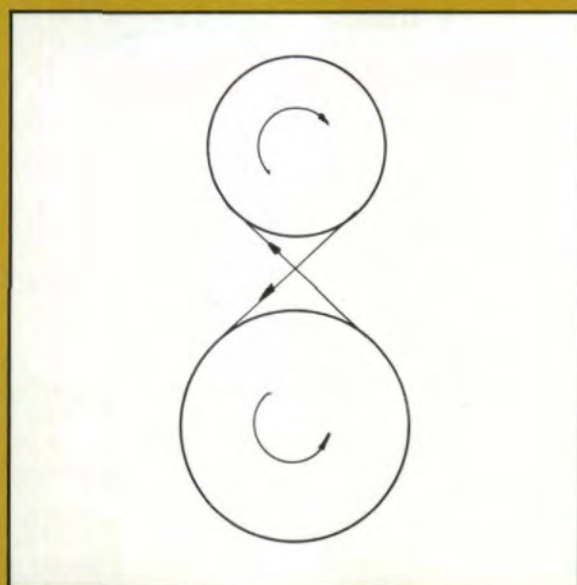


Fig. 2—Crossed belt drive.

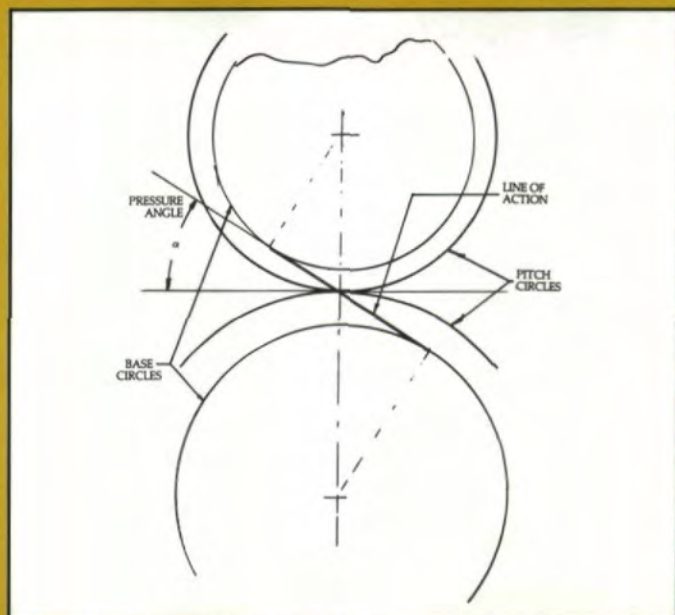


Fig. 5—Line of action and pressure angle.

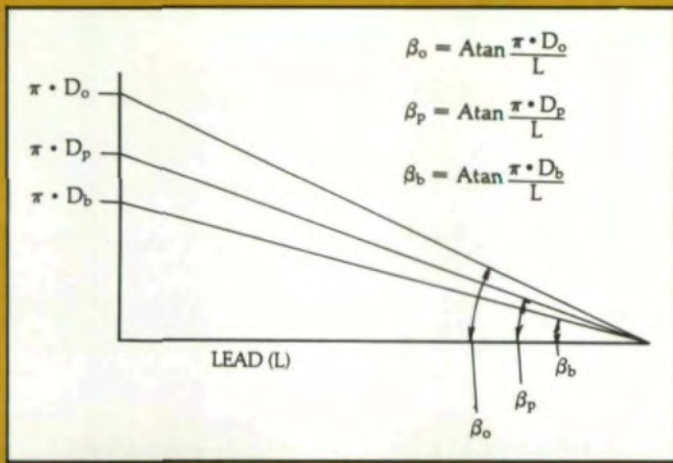
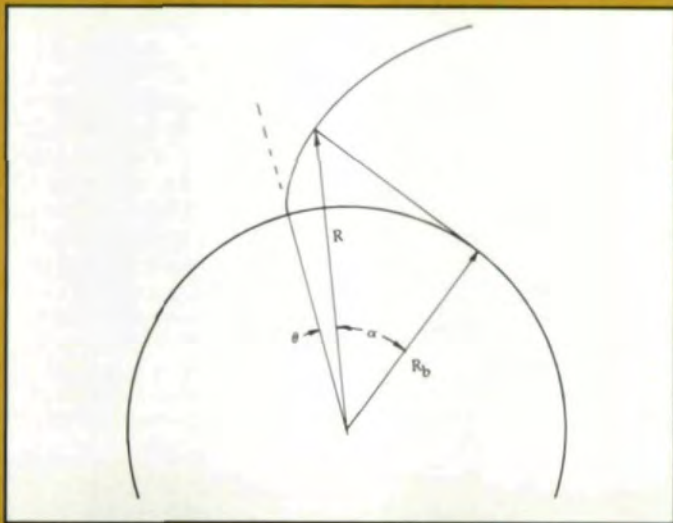
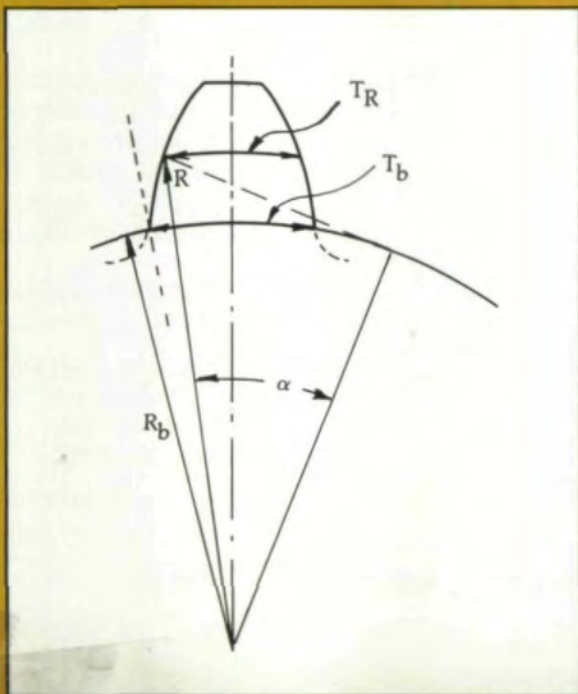


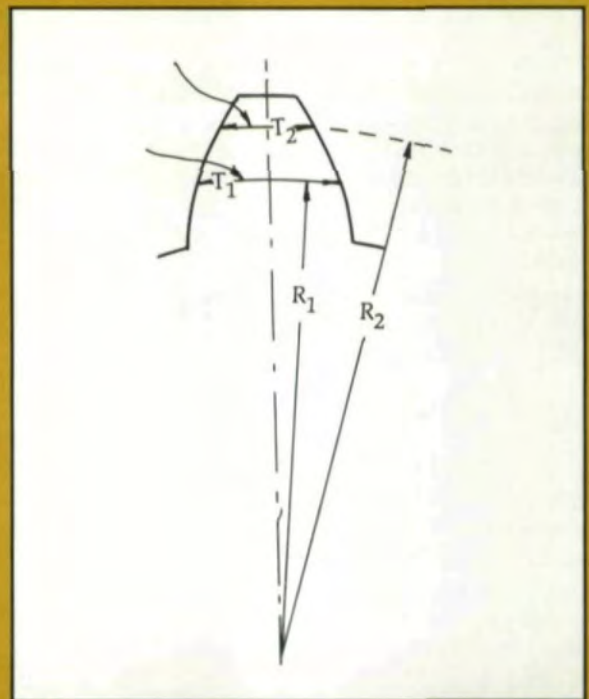
Fig. 6—Diagram to illustrate helix angle variation.



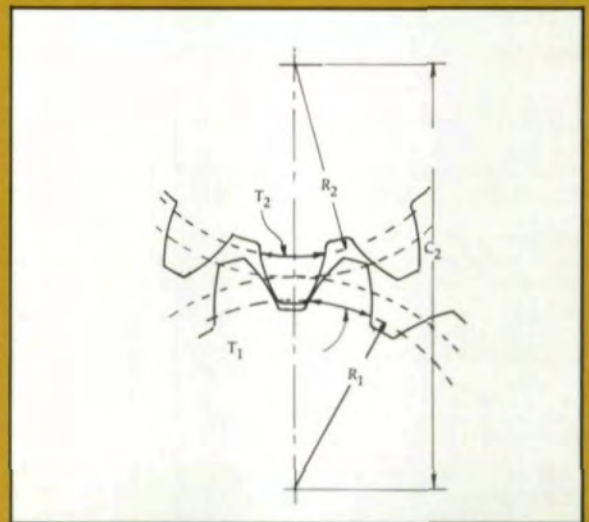
Eq. 2



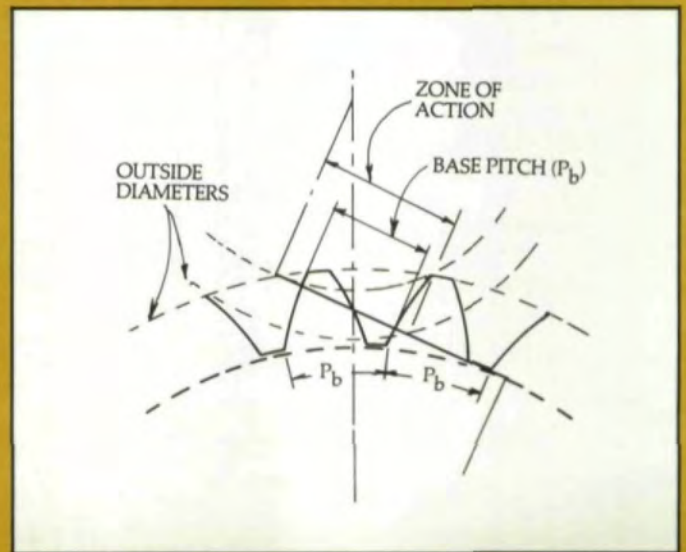
Eq. 3



Eq. 4



Eq. 13



Eq. 14